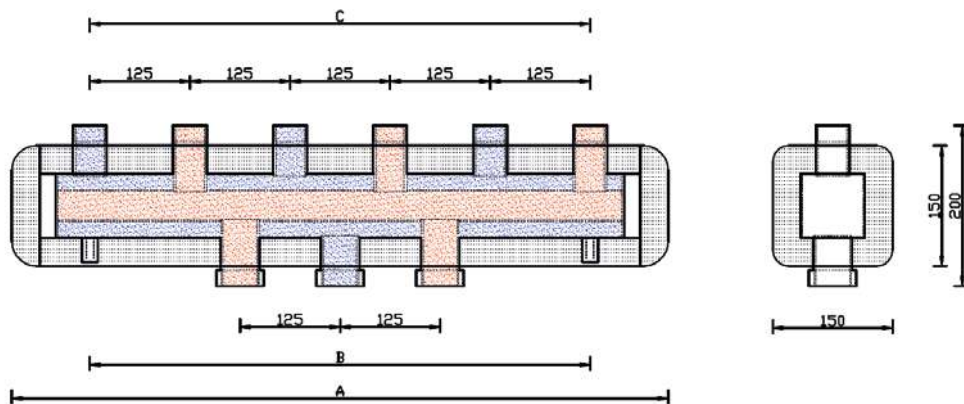
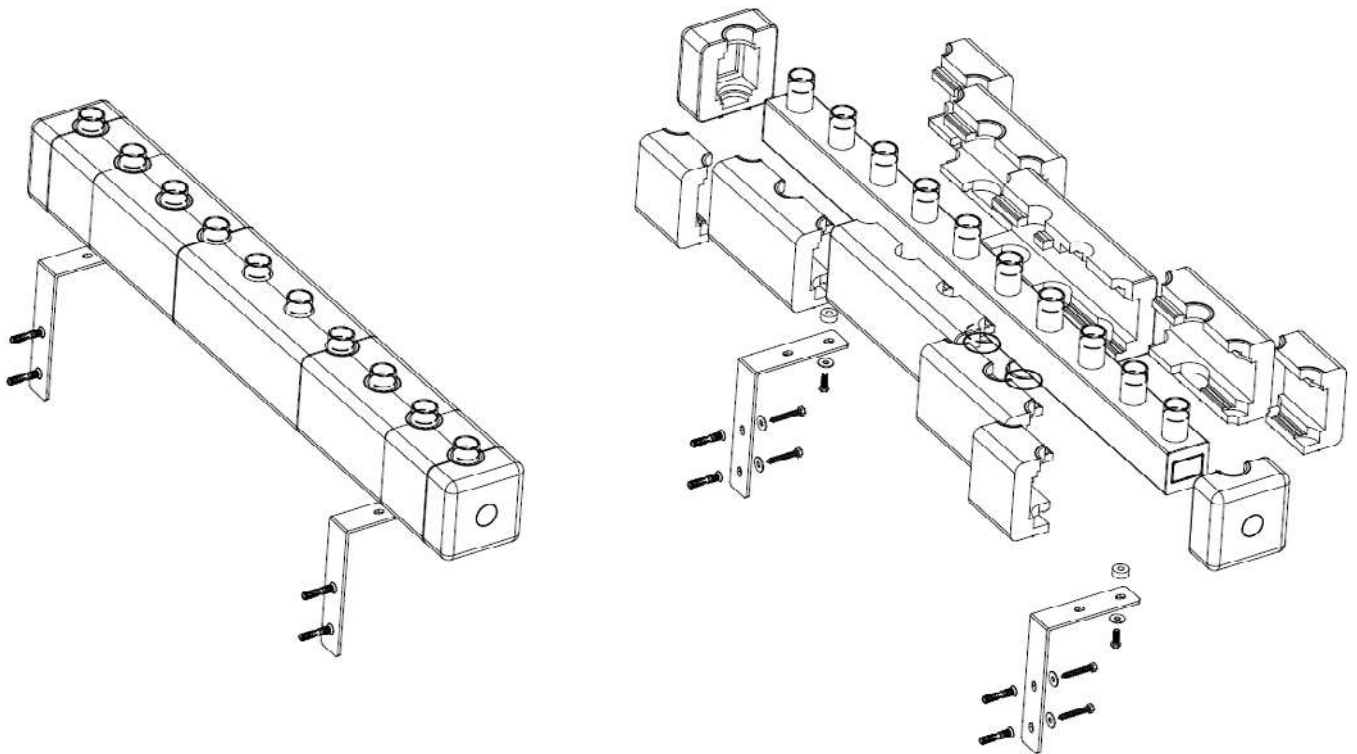


Montageanleitung UNI 80 AG

Mounting instructions



	R170AG-2	R170AG-3	R170AG-4	R170AG-5	R170AG-6
A (mm)	515	765	1015	1265	1515
B (mm)	375	625	625	875	1125
C (mm)	375	625	875	1125	1375
Prim.	2"AG	2"AG	2"AG	2"AG	2"AG
Sek.	1¼" AG	1¼" AG	1¼" AG	1¼" AG	1¼" AG

Abstand Wand-Rohrachse 160 mm oder 200 mm!
Distance between the wall and axis of the connector is 160 mm or 200 mm!